

## BMDH SERIES DOUBLE ACTING HOLLOW PISTON CYLINDER

CAPACITY: 30-150T  
MAX. PRESSURE: 700 Bar

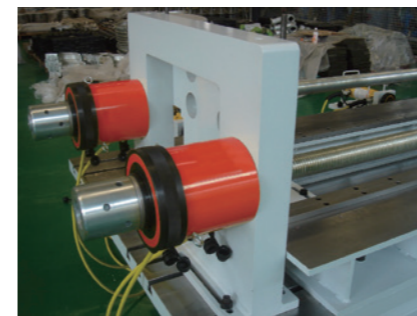


The BMDH hollow piston allows for a rod or cable to be inserted through the entire body length, while the double acting design improves speed of operation when longer stroke cylinders are required. They can be used in tensioning, load testing, bush extracting, and maintenance applications. All cylinders in this range have base mounting holes. Other tonnages and strokes can be customized according to application.

Model	Capacity @10,000 PSI (700 bar)	Stroke	Max. Capacity		Effective Area		Oil Capacity		Close Height	Extended Height
			Push	Pull	Push	Pull	Push	Pull		
	Metric Ton	mm	Ton	Ton	cm <sup>2</sup>	cm <sup>2</sup>	cm <sup>3</sup>	cm <sup>3</sup>	A	B
BMDH-307	30	178	33	22	47.7	32.4	849	577	330	508
BMDH-3010		258	33	22	47.7	32.4	1231	836	431	689
BMDH-603	60	89	60	39	87.4	56.2	778	481	246	336
BMDH-606		166	60	39	87.4	56.2	1451	891	323	489
BMDH-6010		257	60	39	87.4	56.2	2246	1388	438	695
BMDH-1001	95	38	93	60	135.2	87.1	514	331	165	203
BMDH-1003		76	93	60	135.2	87.1	1027	662	254	330
BMDH-1006		153	93	60	135.2	87.1	2069	1333	342	495
BMDH-10010		257	93	60	135.2	87.1	3475	2239	460	717
BMDH-1508	150	203	136	70	196.8	102	3995	2074	349	552

## SADDLE SELECTION

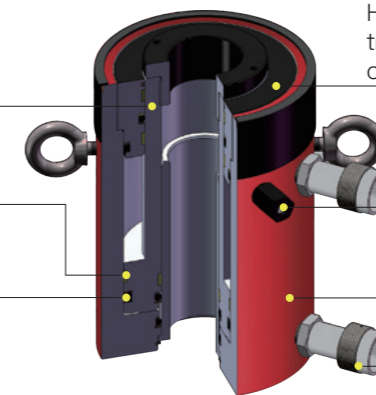
Saddle Model	Cylinder Model	Saddle Size			
		A in	B in	C in	D in
SH-3015	BMDH-307, 3010	2.48	1-1/4" - 7UN	0.35	1-13/16" - 16UN
SH-5016	BMDH-603, 606, 6010	3.58	1-5/8" - 5-1/2"UN	0.47	2-3/4" - 16UN
SH-10016	BMDH-1001, 1003, 1006, 10010	4.96	2-1/2" - 8UN	0.51	4" - 16UN



Hardened and chromed piston reduces

High strength composite bearing provides support for off center loads without damaging the cylinder walls

Industrial U-cup style seal prevents costly leaks

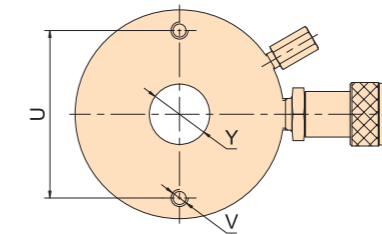
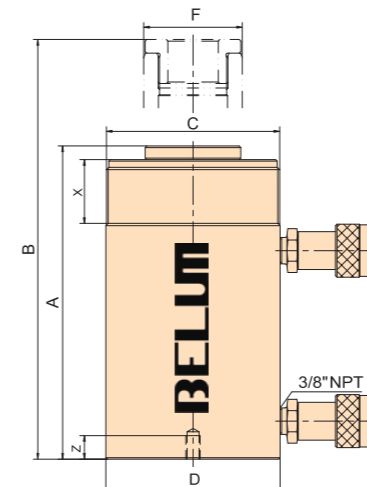


Hardened alloy steel guide ring eliminates over travel and provides support to reduce wear from off center loads

Safety valve release pressure when the cylinder is overload

High strength alloy steel body is precision machined to reduce wear and features a baked enamel finish for durability and corrosion protection

Standard coupler provided with dust cover



**Safety Practices**

80%

Good industry practice recommends not exceeding 80% of the max. rated capacity.

Collar Thread	Collar Thread Length	Outside Diam.	Piston Diam.	Piston Inner Thread	Thread Length	Base Mounting Hole			Center Hole Diam.	Weight	Model
						Bolt Circle	Thread	Thread Depth			
						U	V	Z			
4.1/2" - 12 UN	42	114	65	1 13/16" -16	22	92	3/8" - 16 UNC	15.5	33.3	21	BMDH-307
4.1/2" - 12 UN	42	114	65	1 13/16" -16	22	92	3/8" - 16 UNC	15.5	33.3	27	BMDH-3010
6.1/4" - 12 UNC	48	159	92	2 3/4"-16	19	130	1/2" - 13 UNC	14	53.8	28	BMDH-603
6.1/4" - 12 UNC	48	159	92	2 3/4"-16	19	130	1/2" - 13 UNC	14	53.8	35	BMDH-606
6.1/4" - 12 UNC	48	159	92	2 3/4"-16	25	130	1/2" - 13 UNC	14	53.8	45	BMDH-6010
-	-	212	127	4"-16	25	178	5/8" - 11 UNC	19	79.2	33	BMDH-1001
8.3/8" - 12 UN	60	212	127	4"-16	25	178	5/8" - 11 UNC	19	79.2	61	BMDH-1003
8.3/8" - 12 UN	60	212	127	4"-16	25	178	5/8" - 11 UNC	19	79.2	79	BMDH-1006
8.3/8" - 12 UN	60	212	127	4"-16	25	178	5/8" - 11 UNC	19	79.2	107	BMDH-10010
-	-	247	152.5	4 1/4"-12	25	-	-	-	79.2	111	BMDH-1508